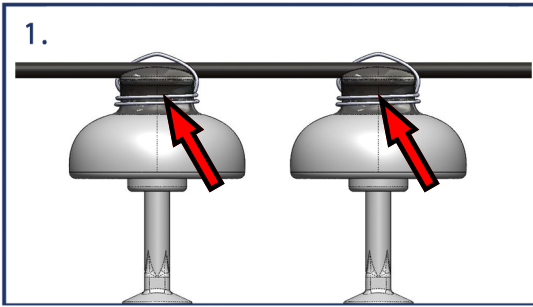


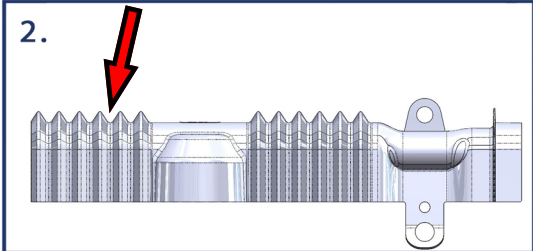
DOUBLE PIN INSULATOR GUARD INSTALLATION GUIDE

1.



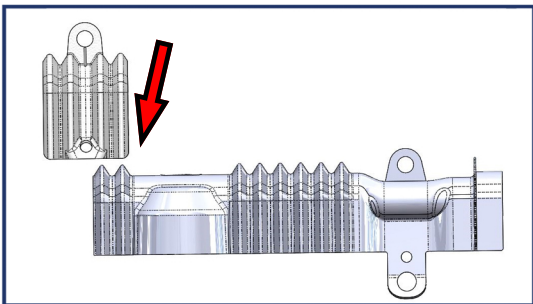
1. Measure the Center to Center distance of the twin pin insulator equipment.

2.



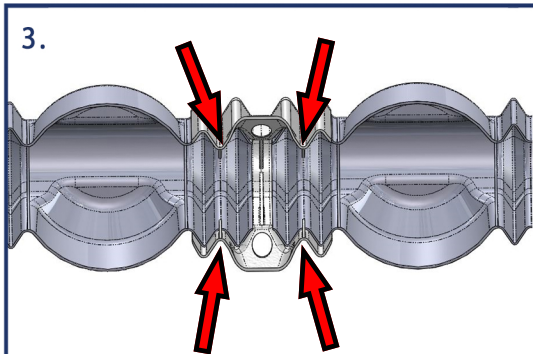
2. Referencing the table below, pick the closest Center to Center Span. Cut the 2 individual pin insulator guards, in the valley of the ridges, leaving the number of ridges as called out in the table below. (Ex: Valley to cut with two ridges remaining shown in picture)

APPROX CENTER TO CENTER INSULATOR SPAN	CUT GUARD TO LEAVE # OF RIDGES	
	GUARD 1	GUARD 2
16.1"	6	6
15.2"	6	5
14.3"	5	5
13.3"	5	4
12.4"	4	4
11.4"	4	3
10.5"	3	3
9.6"	3	2
8.7"	2	2



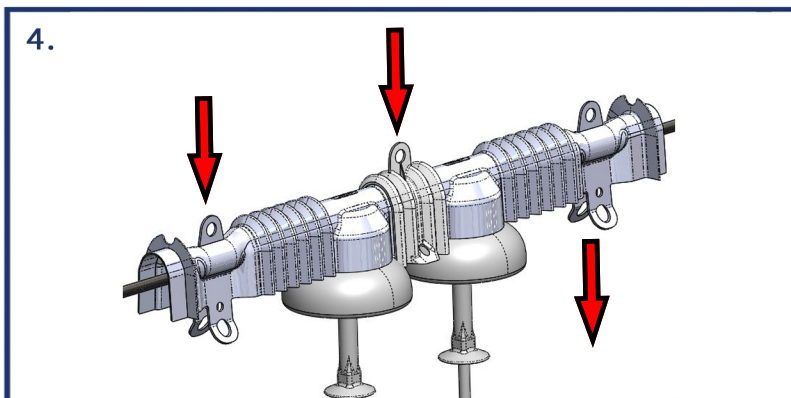
3. Apply the Link Connector over the first pin insulator guard. Ensure two ridges of the pin insulator guard are enclosed inside the Link. Push the Link down over the guard until an audible snap is heard.

3.



4. Apply the Link Connector over the second pin insulator guard, ensuring two ridges are enclosed. Push the Link down completely and double check under the assembled double pin guard to ensure the four tabs are securing the pin insulator halves.

4.



5. Using the hot-stick loops, push/pull the guard over the equipment, ensuring both ends and the center are secured over the conductor. Installation is complete.



RELIAGUARD[®]
SUPERIOR PORTFOLIO OF WILDLIFE MITIGATION PRODUCTS

Phone 949.305.3311
Email orders@reliaguard.com
Web www.reliaguard.com